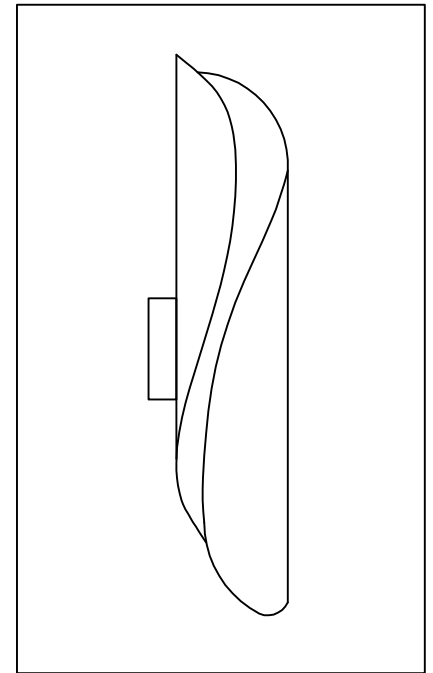
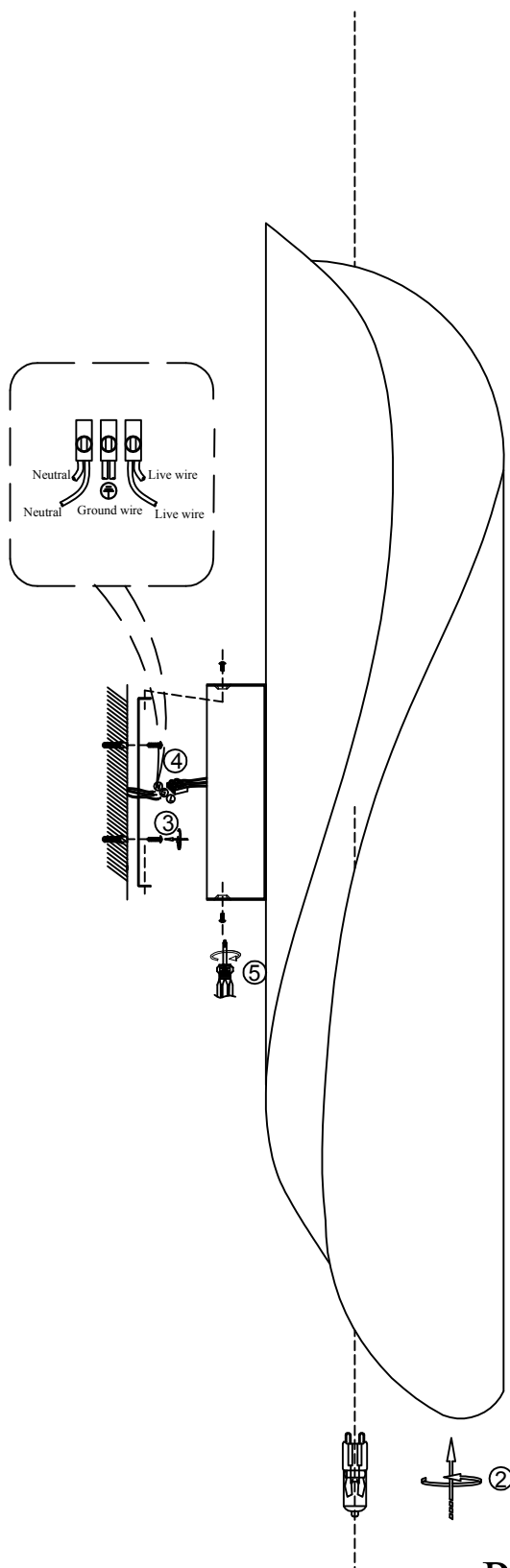


ENGLISH

Specification of installation

In order to ensure safety use, please notice the following items:

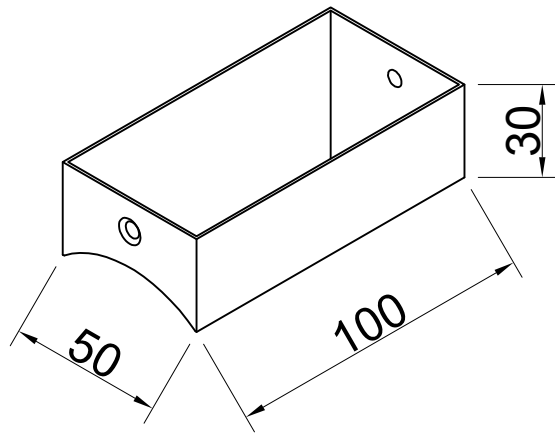
- Read and understand the whole Specification.
- Suitable for the use of 220-240V and 50-60Hz.
- Please wear gloves as installment and avoid rot on the surface of plaetng.
- Must be installed on the fixed places and be checked annually.
- Please tum off the lighting source by soft cloth as cleaning prohibited to use of rotted detergent.
- Please connect with the local sales service center when there are any abnomality.



- 3. Wall anohor
- 4. Terminal
- 5. Screw
- Lamp: G9 40W*2 PCS

Product coding: CLT 230W BL-GO

BASE SIZE:



FIXTURE SIZE:

